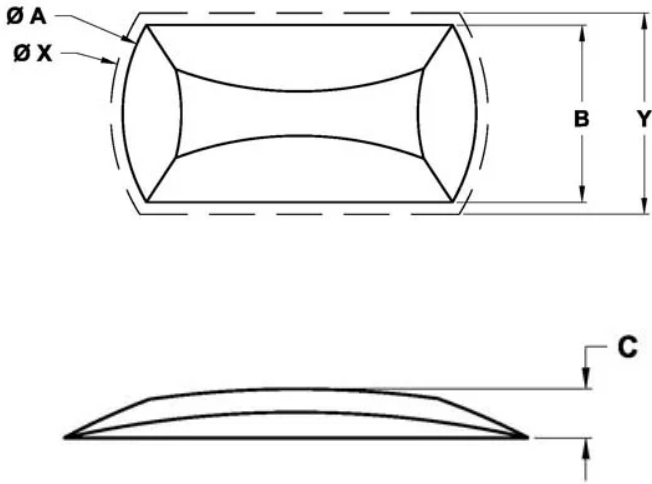


# Part Number: E.35-ONN-340



Dim. A	17.78mm (0.700")
Dim. B	8.89mm (0.350")
Dim. C	0.86mm (0.034")
Dim. X (dome cavity)	18.29mm (0.72")
Dim. Y	9.40mm (0.37")
Fmax/Force	340g +/- 30g, typical
Life Cycles	up to 3,000,000
Dimple	No
Contact Configuration	SPST N.O.
Switching Voltage	0.1 to 50 VDC
Switching Capacity	1 Watt
Switching Current	0.05 to 100 mA DC
Contact Bounce	<0.3ms make <0.6ms break
Base Material	SSTL
Plating	Nickel/Silver/Gold optional
Operating Temp Rating	-45 degrees C to +100 degrees C
Storage Temp Rating	-55 degrees C to +100 degrees C